

3-SERIES

TW 50-3 - 5.0m (16'4") reach

EXTRA FOR THIS SERIES

Low pressure hydraulic control option

Centre mount, belt drive flailhead

EXTRA FOR THIS SERIES

Parallel Arm Geometry



EXTRA FOR THIS SERIES

3pt linkage mounting with heavy duty stabiliser

Large 140ltr oil capacity

50hp hydraulic system

TWOSE

3-SERIES REACH ARM



COMBINING PERFORMANCE AND VALUE

Featuring 5.0m reach, 50hp hydraulics, and parallel arm geometry, Twose's new TW 50-3 is ideal for those seeking a productive and dependable machine that offers outstanding value.

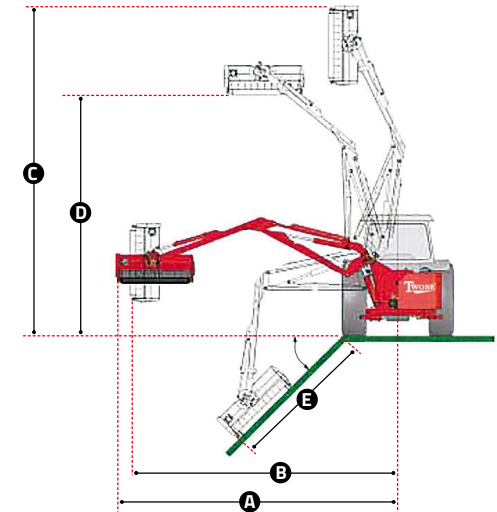
With a choice of control systems, including Twose's proven low pressure hydraulic proportional joystick, the TW 50-3 is intuitive and easy to master and comes with a wide range of working attachments from Cutterbars to Sawheads.



Featuring Low Pressure hydraulic controls. See page 19 for details

3-SERIES REACH ARM	
Specification	TW 50-3
HP	50hp
Reach	5.0m
Slew	—
Angle Float	■
Lift Float	□
Mounting	3pt
Oil Cooler	□
Road Lighting	□
Weight	1126kg
Oil Tank	140ltr
Safety Breakaway	Mechanical
ARM SETS	
Standard	—
Parallel Arm Geometry	■
Telescopic	—
CFR	—
CONTROLS	
Proportional Cable	■
Proportional Low Pressure	□
Proportional Electric (EPP)	—
FLAILHEADS	
1.0m Compact Flailhead	—
1.2m Compact Flailhead	—
1.2m Centre Mount, Belt Drive Flailhead	■
1.2m Sliding Mount, Belt Drive Flailhead	—
1.5m Sliding Mount, Belt Drive Flailhead	—
REQUIREMENTS	
Minimum tractor weight	2250kg
Minimum tractor horsepower	60hp

■ Standard Equipment □ Optional Equipment — Not available



Note - Visual for illustration only

REACH DIMENSIONS

MODEL	A	B	C	D	E
TW 50-3	5.0m	4.8m	6.0m	4.6m	3.1m

SPECIFICATION

- 5.0m reach
- 3-point linkage
- 50hp hydraulics

ARMSETS

- Standard straight arm
- Parallel arm geometry

CONTROLS

- Proportional cable controls
- Proportional low pressure hydraulic controls

KEY FEATURES

- Centre mount flailhead
- 240-degree head rotation
- Dual direction cutting
- Mechanical breakaway protection
- 140-litre oil tank capacity
- Cast iron pumps and motor
- Angle float
- Road lighting (optional)
- Lift float (optional)

FLAILHEADS

- 1.2m centre mount belt drive flailhead

ATTACHMENTS

- Sawheads
- Cutterbars

TRACTOR REQUIREMENTS

- 60hp, 2,250kg